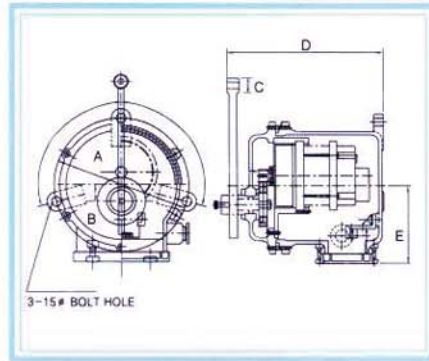


RUDDER ANGLE INDICATING SYSTEM



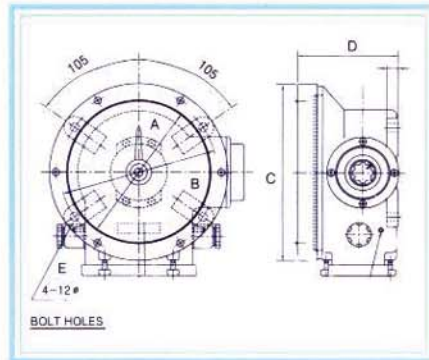
► TRANSMITTER



MODEL	DIMENSION					CABLE GLAND	RATIO (TX:RX)	W (kg)
	A	B	C	D	E			
R150TP	180	28	15	220	115	20b	1:1	6
							1:2	7
R200TP	220	35	10	262	125		1:3	8
							1:5	8



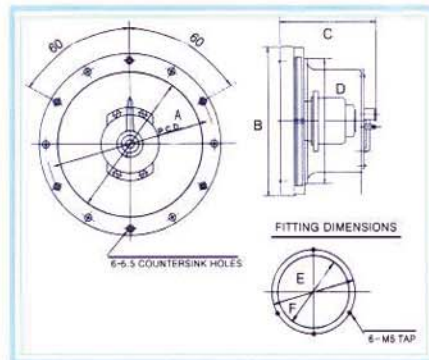
► RECEIVER



MODEL	DIMENSION				CABLEGLAND	W (kg)
	A	B	C	D		
R-150WE						4.5
R-150WD	150	180	200	145	20C	5
R-150WL						4.5
R-200WE						6.5
R-200WD	200	220	250	145	20C	7
R-200WL						6.5



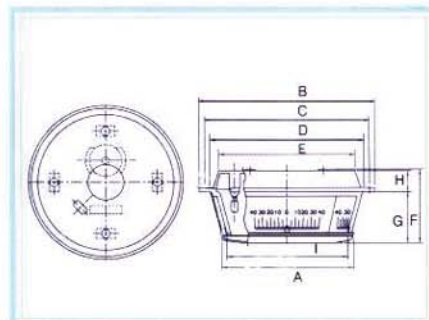
► RECEIVER



MODEL	DIMENSION						W (kg)
	A	B	C	D	E	F	
R-150IF							4
R-150M	150	200	155	160	162	182	4
R-200IF							6
R-200IM	200	250	160	210	212	232	6



► RECEIVER

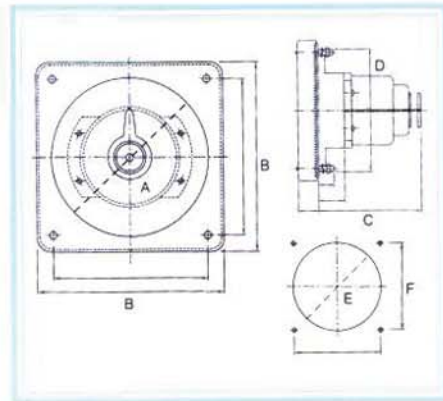


MODEL	DIMENSION									W (kg)
	A	B	C	D	E	F	G	H	I	
R-200IFP	250	380	340	310	290	200	140	60	225	7
R-300IFP	340	480	440	400	340	190	130	55	300	10

RUDDER ANGLE INDICATING SYSTEM



▶ RECEIVER

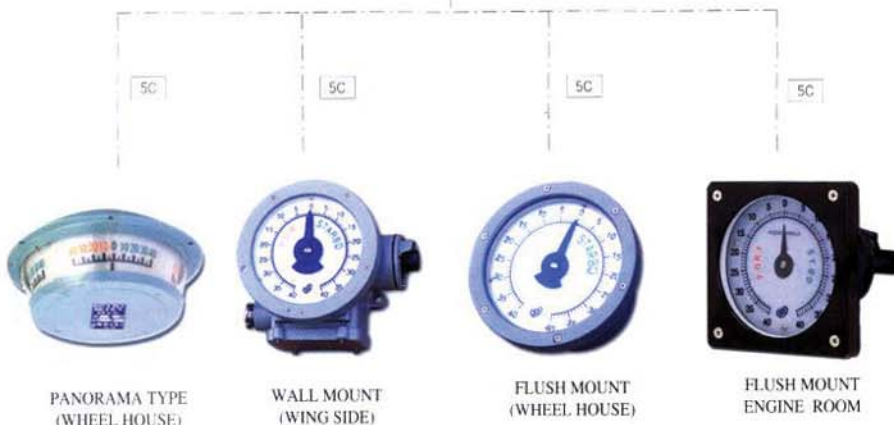


MODEL	DIMENSION						W (kg)
	A	B	C	D	E	F	
R-100IF	100	110	130	98	100	90	1
R-100IM							1
R-130IF	130	150	150	130	132	124	2
R-130IM							2

SYSTEM DIAGRAM



TRANSMITTER



RUDDER ANGLE INDICATOR & CONVERTER
타각지시기 및 신호변환장치
EQUIPMENT WHICH CAN RECORD INFORMATION
EXCHANGE AND ITS CONTENTS ABOUT ENGINE IN
USE BETWEEN STEERING HOUSE AND
STOKEHOLD IN A SHIP.

선박의 운항시 타각을 정확히 알려줌으로서
안전항해 및 경제항해를 도와주는
법정장비이며 해양수산부 형식승인 취득승인품

CERTIFICATE

해양수산부 형식승인 취득

■ Acquired the approval from Ministry
of Maritime Affairs & Fisheries

MO-97-12

CERTIFICATE OF TYPE APPROVAL

1. Manufacturer
Name: DONG-WON ELECTRIC
Address: 35-20 2GA NAM-AE-DONG, YEONGDOU-KU, BUSAN
702-84

2. Article
Name: RUDDER ANGLE INDICATOR (RECEIVER)
Type: DMH-300-IFP

3. Test Report
No.: 97-12-1
Date of issue: 1997.10.25

This is to certify that the above article has been examined and
satisfactorily tested in accordance with the requirements of the
provisions of K.S. 308-A5-99a of Annex 2, 4, 5.

CORRECTION
 DMO Res.
 MSA, Gov.

Date: 1997. 10. 25

Minister
of Maritime Affairs and Fisheries
of The Republic of Korea



Import & Selling by OSCONA Co., Ltd.

Head Office : 600-102, OSCONA, Room 1209, Centural O/T, 37-3, Daechang-dong 2Ga, Jung-gu, Busan, Korea.
Tel : +82-51-441-5571 Fax : +82-51-441-5576 E-mail : master@oscona.com URL : www.oscona.com

OSCONA
OSCONA Co., Ltd. OSCONA Co., Ltd. is a member of the OSCONA Group.